

Bring Your  
Imagination  
To Life



*Northville*  
CABINETRY



# *European Cabinets*

An inimitable unicum of solutions, made to meet the requirements of concrete, daily, creative and shared use

2024

Clean Lines - Modern Style  
& The Unmistakable Touch  
Of Great Italian Design

# We Know Cabinets



1

## Style

Contemporary, clean lines and sophisticated finishes professionally crafted.

2

## Functionality

Careful thought goes into how you use the space, easy access, location of the appliances, and smart storage.

3

## Safety

We take special measures to create harmless material for children & adults

4

## Selection

A large list of options for color, finish, material as unique and individual as you are.

5

## Durability

Colors that stay vibrant. Hinges that work smoothly, materials that are treated to stay strong years after installation.

Since 2006, Northville Cabinetry has built its reputation on trust, reliability, and high-end cabinetry designed to provide timeless elegance and modern sophistication. As one of the largest cabinet wholesalers in Texas, We are now introducing our bespoke & seamless European cabinets collection.

An amalgamation of modern designs & perfect aesthetics, providing sleek and elegant patterns, making the minimalist style an excellent choice for any residential or commercial setup.



*Explore  
Door Samples*

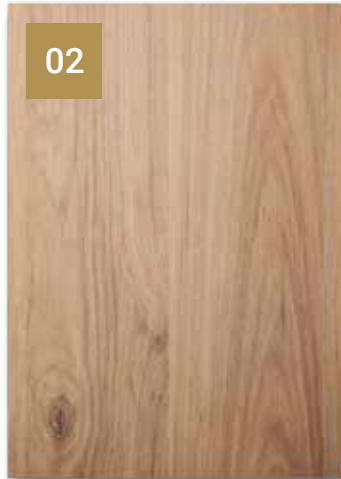
Explore various cabinet door styles and finishes that fit an overall design vision you have in mind. No matter where you begin, you will find lots to love

**Essential Series**

3/4" (18mm) thick MDF Board, with melamine laminate on both sides, and PVC banding of matching color on all edges.



Walnut



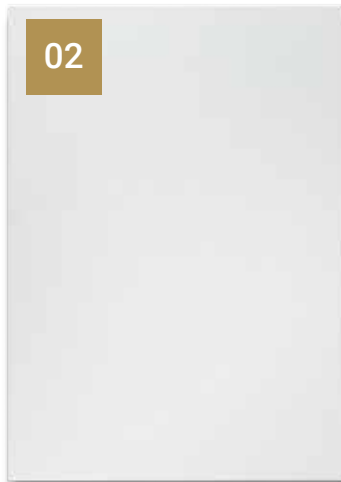
Light Oak

**Prime Series**

3/4" (18mm) thick MDF Board, with PET laminate on the exterior and melamine laminate on the interior, ABS banding of matching color on all edges



Matt Black



Matt White



Gloss White

# Exquisite Designs

Northville has evolved with the addition of new technical details better-performing equipment and more sophisticated finishes confirming its vocation for maximum functional results



We care about the details because we know this will be where your life happens. We manufacture beautiful, well-built cabinets, but more importantly—We make them uniquely yours.

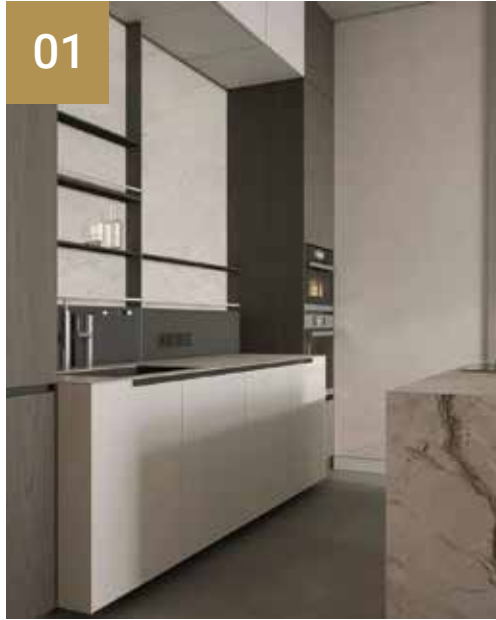


To us, cabinets aren't just about storage. Your cabinets should spark joy and inspire life in the very spaces where you live your lives.

# Meticulous Craftsmanship

Our designs feature minimalism and Italian aesthetics presenting themselves in a cozy and luxurious style and being a real model of luxurious custom cabinetry manufacturer

01



## Modern & Chic

Our European-style cabinets have a clean, modern design and offer a better use of space.

02



## Frameless Cabinets

Give you greater access to storage by eliminating the frame & center stile typically found on most American-style cabinets.

03



## Convenience

Hinges and drawer slides are tucked out of sight, making it easy to add accessories.

04



## Personal Touches

Your lifestyle is unique, and your cabinets should be too. An extra drawer, a well-placed door, a handle that feels great.

# Countless Choices

Variety is our strength; ranges for every type of customer, hundreds of front variations, and endless combinations are possible to make your own individual selection.



We create a reflection of your personal expression and lifestyle. Our designer takes great care in designing a space that is both functional and stylish. We ensure that your space looks its best, while still being practical.



Inspired by the latest trends and technical developments, We strive to deliver quality, smartly designed and affordable cabinetry with personal and friendly service to you.

# *The Art of Pure Volumes*

There is no dividing line between creativity and innovation, between the art of playing with colours and materials and the mathematics of pure volumes.



From the refined play of glass, in every colour and finish, to woods with strong tactile sensations, from lacquered surfaces to metal laminates. The expression of each customer's personal taste becomes eternal.

# A Celebration of European Simplicity



1

## Uncluttered Beauty

Forget ornate flourishes. Our cabinets sing with the purity of unadorned forms. Each silhouette speaks of purpose, inviting the eye to explore the play of light and shadow.

2

## Material Masterclass

Experience the rich symphony of textures. The warmth of hand-selected hardwoods, the smooth coolness of stone, the delicate shimmer of glass each element plays its part in crafting a canvas for your personal aesthetic.

3

## A Canvas for You

European simplicity isn't about limitations, it's about possibilities. These cabinets are your blank slate, ready to be adorned with your curated treasures, family heirlooms, or carefully chosen artwork.

4

## Crafted with a Conscience

Where generations meet, so do strength and beauty. Our cabinets, crafted with enduring materials and time-honored expertise, stand as whispers of permanence

5

## Function Follows Form

Adjustable shelves, discreet drawers, and concealed compartments seamlessly blend function and beauty, transforming storage into an extension of your personal aesthetic.



## *The Allure of the Abyss*

Unveiling the Drama of Black Cabinet, forget timid pastels and predictable beiges. Embrace the captivating, sophisticated world of black cabinets.



### **Luxe Under the Light**

Black absorbs light, creating an intimate, atmospheric setting perfect for elegant dinner parties. Strategically placed pendant lights and under-cabinet illumination highlight culinary masterpieces and transform your kitchen into a captivating haven.

### **A Symphony of Contrasts**

Pair black cabinets with crisp white countertops for a dramatic, high contrast palette that revives even the smallest kitchens. Warm woods and metallic accents dance along the monochrome stage, adding subtle warmth and personality.

### **Modern Masterpiece**

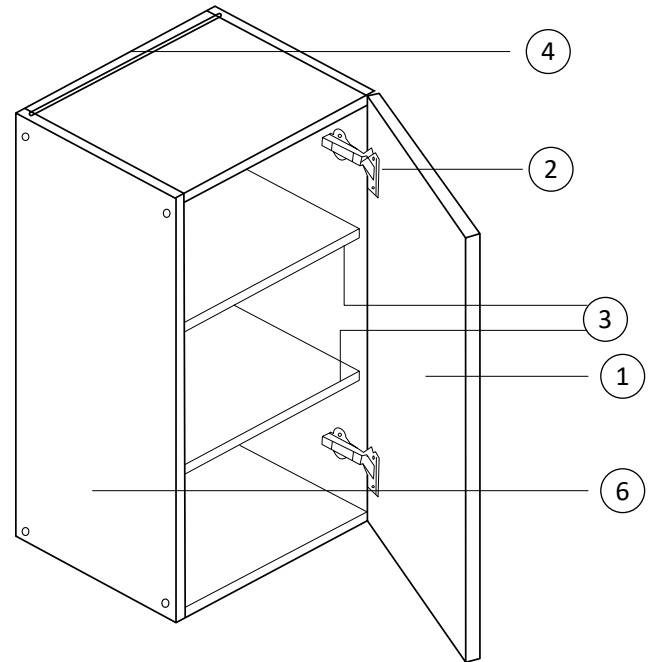
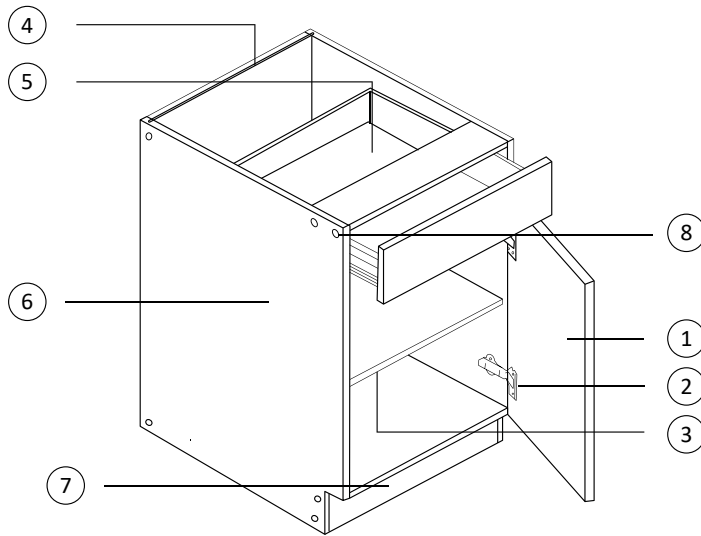
Black is the quintessential partner for contemporary minimalism. Sleek, frameless cabinets cast clean lines, amplifying the architectural beauty of your space. High-gloss finishes reflect light, creating an illusion of boundless depth, while matte textures exude a hushed, contemporary charm.

### **Beyond the Kitchen**

Black's magic isn't confined to culinary spaces. Infuse your home office with executive-suite vibes, create a dramatic walk-in closet fit for a fashionista, or add a touch of intrigue to your bathroom with black vanity units.

# EUROPEAN FRAMELESS CABINET BOX SPECIFICATIONS

## Wall Cabinet



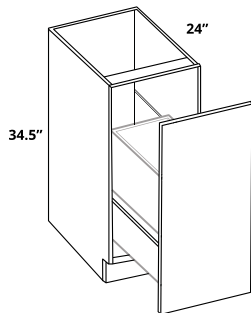
## Base Cabinet

- |   |                 |   |
|---|-----------------|---|
| 1 | Door Front      | Frameless full overlay slab style.  |
| 2 | Hinges          | Six-Way adjustable 95 degrees open soft closing hinges.   |
| 3 | Shelves         | 18mm thick adjustable full depth plywood shelf with melamine on both sides.                           |
| 4 | Back Panel      | 5/8" thick plywood frame with 3/16" thick MDF back reinforced with nail and glue.                     |
| 5 | Drawer Box      | Metal Tandem box, full extension soft closing glides with 5/8" plywood bottom & back melamine panels. |
| 6 | Side Panel      | 18mm thick plywood side panels with white melamine on both sides.                                     |
| 7 | Toe Kick        | Matching box material   |
| 8 | Assembly System | Screw and dowel system.   |

# PRODUCT LIST

## Base Cabinet

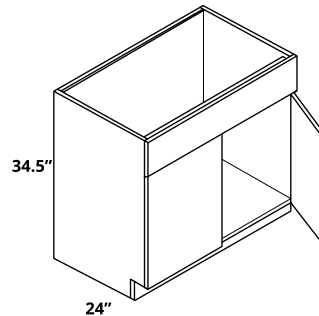
### BTC18



Trash Can Base Cabinet  
One Door

Item	Dimension (Inch)		
	W	H	D
BTC18	18	34 1/2	24

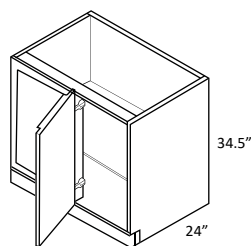
### SB30-SB36



Sink Base Cabinet  
Two Doors One False  
Drawer

Item	Dimension (Inch)		
	W	H	D
SB30	30	34 1/2	24
SB33	33	34 1/2	24
SB36	36	34 1/2	24
SB42	42	34 1/2	24

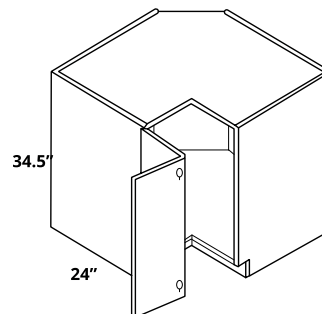
### BBC36-BBC42



Base Blind Corner  
One Door (\*14 7/8" wide  
for BBC36; 17 7/8" wide  
for BBC42 )

Item	Dimension (Inch)		
	W	H	D
BBC36	36	34 1/2	24
BBC42	42	34 1/2	24

### BER33-BER36

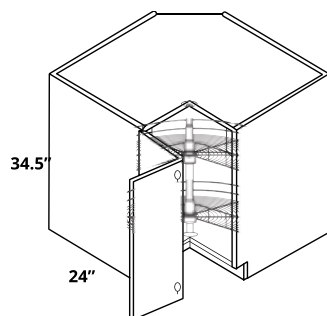


Corner Base Cabinet  
One Door

Item	Dimension (Inch)		
	W	H	D
BER33	33	34 1/2	24
BER36	36	34 1/2	24

One removable shelf included  
Metal Lazy Susan tray Not included

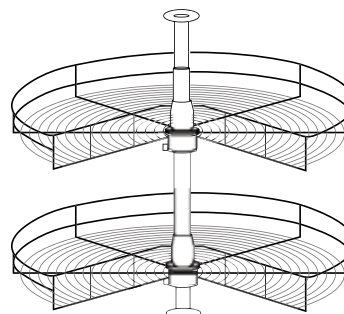
### BLS33-BLS36 (With tray)



Corner Base Cabinet  
One Door (With Tray)

Item	Dimension (Inch)		
	W	H	D
BLS33	33	34 1/2	24
BLS36	36	34 1/2	24

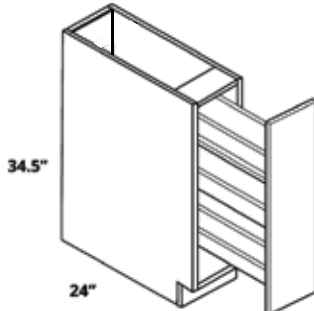
### Lazy Susan Tray



# PRODUCT LIST

## Base Cabinet

### BSR09

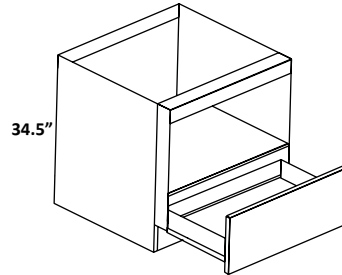


### Pull-out Base Cabinet One Door

Item	Dimension (Inch)		
	W	H	D
BSR09	09	34 1/2	24

Pull out tray included

### BMC30

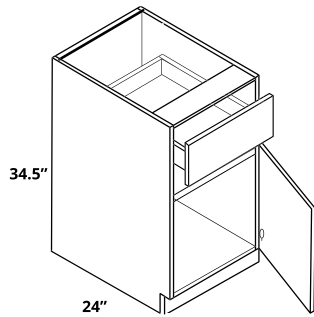


### Base Microwave Cabinet

Item	Dimension (Inch)		
	W	H	D
BMC30	30	34 1/2	24

Cutout dimensions = 28.5" w x 16" H x 23.25"D (includes one 3" filler)

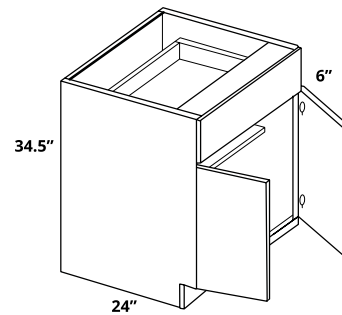
### B12-B24



### Regular Base Cabinet One Door One Drawer

Item	Dimension (Inch)		
	W	H	D
B12	12	34 1/2	24
B15	15	34 1/2	24
B18	18	34 1/2	24
B21	21	34 1/2	24
B24	24	34 1/2	24

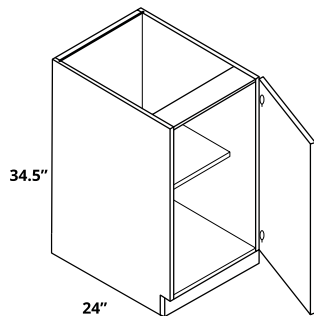
### B27-B36



### Regular Base Cabinet Two Doors One Drawer

Item	Dimension (Inch)		
	W	H	D
B27	27	34 1/2	24
B30	30	34 1/2	24
B33	33	34 1/2	24
B36	36	34 1/2	24

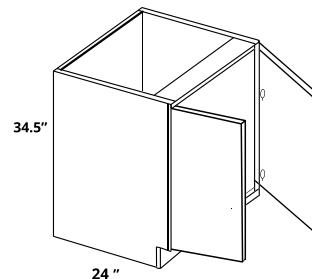
### B06FD-B24FD



### Full Door Base Cabinet One Door

Item	Dimension (Inch)		
	W	H	D
B06FD	06	34 1/2	24
B09FD	09	34 1/2	24
B12FD	12	34 1/2	24
B15FD	15	34 1/2	24
B18FD	18	34 1/2	24
B21FD	21	34 1/2	24
B24FD	24	34 1/2	24

### B30FD-B36FD



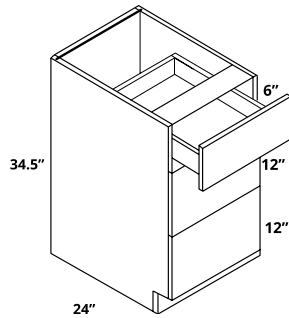
### Full Door Base Cabinet Two Doors

Item	Dimension (Inch)		
	W	H	D
B30FD	30	34 1/2	24
B33FD	33	34 1/2	24
B36FD	36	34 1/2	24

# PRODUCT LIST

## Base Cabinet

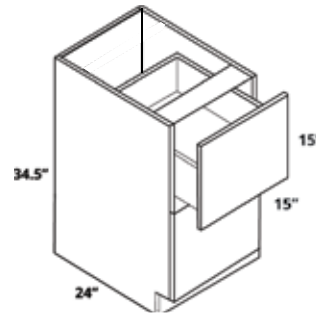
### DB12-3-DB36-3



### Drawer Base Cabinet Three Drawers

Item	Dimension (Inch)		
	W	H	D
DB12-3	12	34 1/2	24
DB15-3	15	34 1/2	24
DB18-3	18	34 1/2	24
DB21-3	21	34 1/2	24
DB24-3	24	34 1/2	24
DB30-3	30	34 1/2	24
DB36-3	36	34 1/2	24

### DB18-2-DB36-2



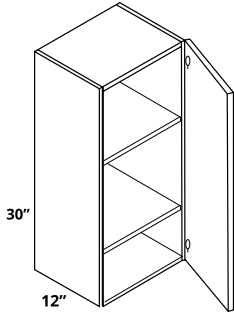
### Drawer Base Cabinet Two Drawers

Item	Dimension (Inch)		
	W	H	D
DB18-2	18	34 1/2	24
DB24-2	24	34 1/2	24
DB30-2	30	34 1/2	24
DB36-2	36	34 1/2	24

# PRODUCT LIST

## Wall Cabinet

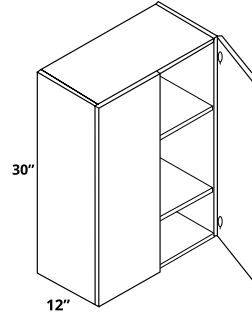
### W0930-W2430



Regular Wall Cabinet  
One Door

Item	Dimension (Inch)		
	W	H	D
W0930	09	30	12
W1230	12	30	12
W1530	15	30	12
W1830	18	30	12
W2130	21	30	12
W2430	24	30	12

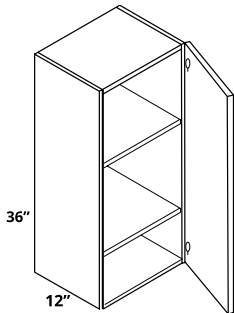
### W2730-W3630



Regular Wall Cabinet  
Two Doors

Item	Dimension (Inch)		
	W	H	D
W2730	27	30	12
W3030	30	30	12
W3330	33	30	12
W3630	36	30	12

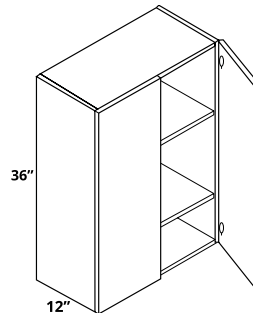
### W0936-W2436



Regular Wall Cabinet  
One Door

Item	Dimension (Inch)		
	W	H	D
W0936	9	36	12
W1236	12	36	12
W1536	15	36	12
W1836	18	36	12
W2136	21	36	12
W2436	24	36	12

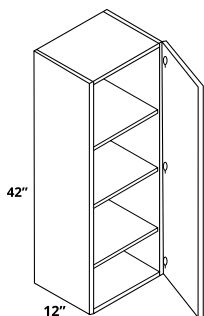
### W2736-W3636



Regular Wall Cabinet  
Two Doors

Item	Dimension (Inch)		
	W	H	D
W2736	27	36	12
W3036	30	36	12
W3336	33	36	12
W3636	36	36	12

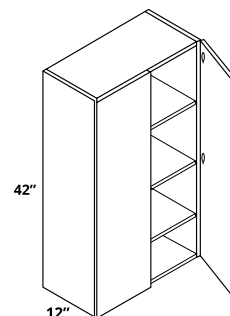
### W0942-W2442



Regular Wall Cabinet  
One Door

Item	Dimension (Inch)		
	W	H	D
W0942	09	42	12
W1242	12	42	12
W1542	15	42	12
W1842	18	42	12
W2142	21	42	12
W2442	24	42	12

### W2742-W3642



Regular Wall Cabinet  
Two Doors

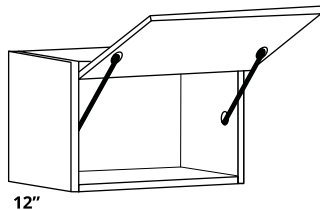
Item	Dimension (Inch)		
	W	H	D
W2742	27	42	12
W3042	30	42	12
W3342	33	42	12
W3642	36	42	12

# PRODUCT LIST

## Wall Cabinet

### WSL3012-WSL3021

#### Horizontal Wall Cabinet One Door

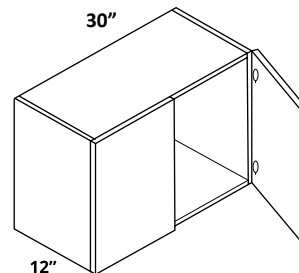


12"

Item	Dimension (Inch)		
	W	H	D
WSL3012	30	12	12
WSL3015	30	15	12
WSL3018	30	18	12
WSL3021	30	21	12

\*Lift hardware not included

### W3012-W3024



30"

12"

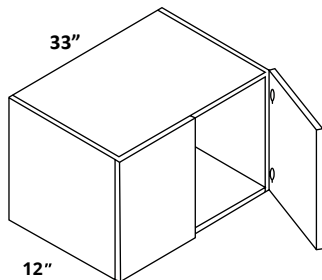
#### Microwave Wall Cabinet Two Doors

Item	Dimension (Inch)		
	W	H	D
W3012	30	12	12
W3015	30	15	12
W3018	30	18	12
W3024	30	24	12

\*24" H has one shelf

### W3312-W3324

#### Short Wall Cabinet Two Doors



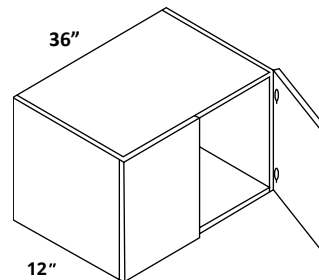
33"

12"

Item	Dimension (Inch)		
	W	H	D
W3312	33	12	12
W3315	33	15	12
W3318	33	18	12
W3324	33	24	12

### W3612-W3624

#### Short Wall Cabinet Two Doors



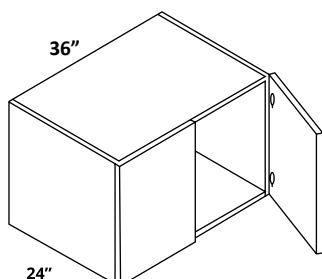
36"

12"

Item	Dimension (Inch)		
	W	H	D
W3612	36	12	12
W3615	36	15	12
W3618	36	18	12
W3624	36	24	12

### W361224-W362424

#### Refrigerator Wall Cabinet Two Doors



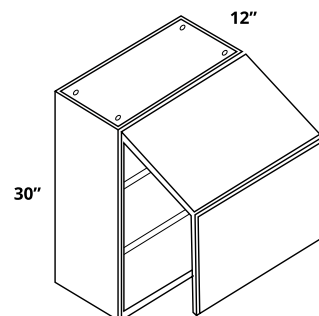
36"

24"

Item	Dimension (Inch)		
	W	H	D
W361224	36	12	24
W361824	36	18	24
W362124	36	21	24
W362424	36	24	24

### WBF3030-WBF3630

#### Horizontal Bi-Fold Wall Cabinet



12"

30"

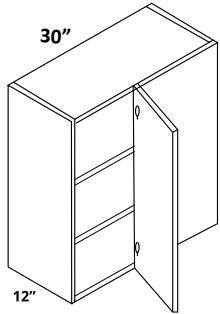
Item	Dimension (Inch)		
	W	H	D
WBF3030	30	30	12
WBF3630	36	30	12

\*Lift up hardware not included

# PRODUCT LIST

## Wall Cabinet

### WBC3030-WBC3042

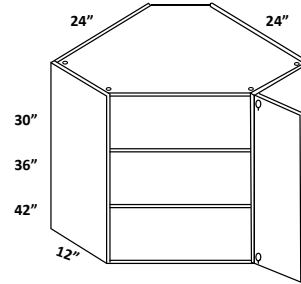


### Blind Corner Wall Cabinet One Door

Item	Dimension (Inch)		
	W	H	D
WBC3030	30	30	12
WBC3036	30	36	12
WBC3042	30	42	12

\*30"-36" H has two shelves  
42"H has three shelves

### WDC2430-WDC2442



### Wall Diagonal Corner Cabinet Two Doors

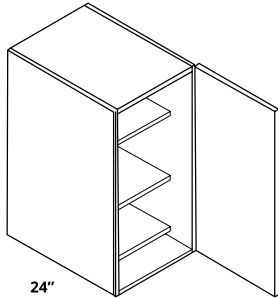
Item	Dimension (Inch)		
	W	H	D
WDC2430	24	30	12
WDC2436	24	36	12
WDC2442	24	42	12

# PRODUCT LIST

## Tall Cabinet

**W184924-W244924**

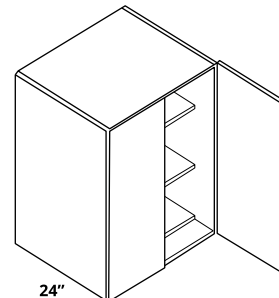
**Pantry Wall Cabinet One Door  
Three shelves**



Item	Dimension (Inch)		
	W	H	D
W184924	18	49.5	24
W185524	18	55.5	24
W186124	18	61.5	24
W244924	24	49.5	24
W245524	24	55.5	24
W246124	24	61.5	24

**W304924-W306124**

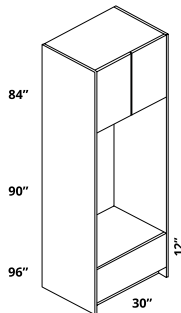
**Pantry Wall Cabinet Two Doors  
Three shelves**



Item	Dimension (Inch)		
	W	H	D
W304924	30	49.5	24
W305524	30	55.5	24
W306124	30	61.5	24

**DOC3084-DOC3096**

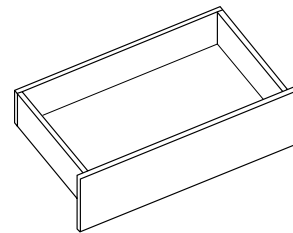
**Double Oven Cabinet**



Item	Dimension (Inch)		
	W	H	D
DOC3084	30	84	24
DOC3090	30	90	24
DOC3096	30	96	24

**OCDR30**

**Oven Cabinet Drawer**



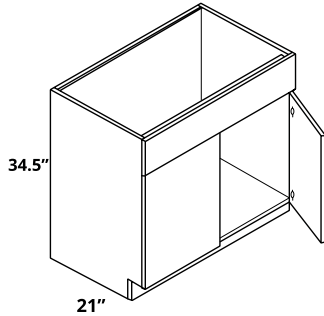
Item	Dimension (Inch)		
	W	H	D
OCDR30	30	12	24

# PRODUCT LIST

## Vanity Cabinet

### VSB24-VSB36

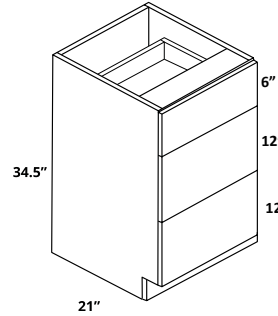
#### Vanity Sink Base Cabinet Two Doors One False Drawer



Item	Dimension (Inch)		
	W	H	D
VSB24	24	34 1/2	21
VSB27	27	34 1/2	21
VSB30	30	34 1/2	21
VSB36	36	34 1/2	21

### VDB12-3-VDB24-3

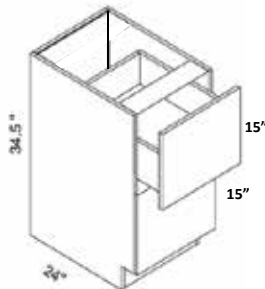
#### Vanity Drawer Base Cabinet Three Drawers



Item	Dimension (Inch)		
	W	H	D
VDB12-3	12	34 1/2	21
VDB15-3	15	34 1/2	21
VDB18-3	18	34 1/2	21
VDB21-3	21	34 1/2	21
VDB24-3	24	34 1/2	21

### VDB12-2-VDB24-2

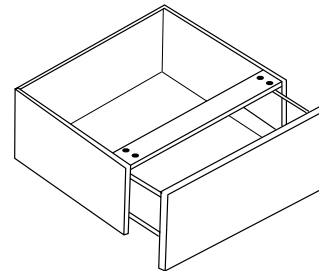
#### Vanity Drawer Base Cabinet Two Drawers



Item	Dimension (Inch)		
	W	H	D
VDB12-2	12	34.5	21
VDB15-2	15	34.5	21
VDB18-2	18	34.5	21
VDB21-2	21	34.5	21
VDB24-2	24	34.5	21

### VKD24-VKD30

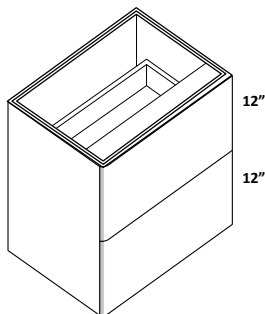
#### Vanity Knee Drawer



Item	Dimension (Inch)		
	W	H	D
VKD24	24	6	21
VKD30	30	6	21

### FVDB12-FVDB21

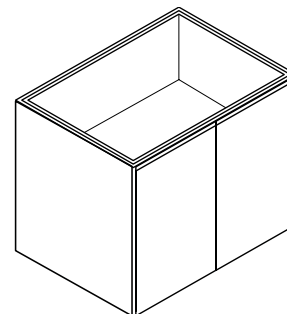
#### Floating Vanity Drawer Base Cabinet Two Drawers



Item	Dimension (Inch)		
	W	H	D
FVDB12	12	24	21
FVDB15	15	24	21
FVDB18	18	24	21
FVDB21	21	24	21
FVDB24	24	24	21

### FVSB24-FVSB36

#### Floating Vanity Sink Base Cabinet Two Doors

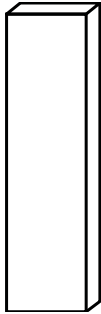


Item	Dimension (Inch)		
	W	H	D
FVSB24	24	24	21
FVSB27	27	24	21
FVSB30	30	24	21
FVSB36	36	24	21

# PRODUCT LIST

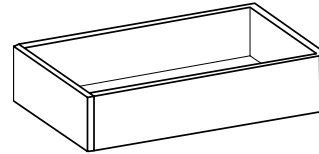
## Accessories

### Filler



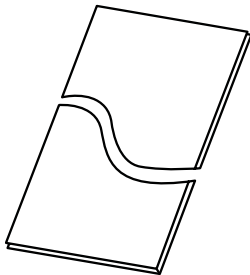
Item	Dimension (Inch)		
	W	H	D
WF330	3	30	3/4
WF336	3	36	3/4
WF342	3	42	3/4
WF642	6	42	3/4
TF196	1 1/2	96	3/4
TF396	3	96	3/4
TF696	6	96	3/4

### Roll-out Tray



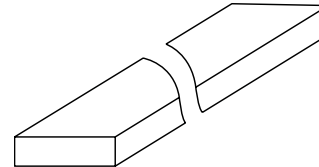
Item	Dimension (Inch)		
	W	H	D
ROT15	15	6	24
ROT18	18	6	24
ROT24	24	6	24
ROT30	30	6	24
ROT36	36	6	24

### Panel



Item	Dimension (Inch)		
	W	H	D
WEP1330	12 3/4	30	3/4
WEP1336	12 3/4	36	3/4
WEP1342	12 3/4	42	3/4
WEP1366	12 3/4	66	24
BEP24	24 5/8	36	3/4
BEP21	21 3/4	36	3/4
BEP36	36	36	3/4
BEP2124	21 3/4	24	3/4
DWR	3	34.5	3/4
TEP2496	24 5/8	96	3/4
TEP24120	24 5/8	120	3/4
BP9636	36	96	3/4
BP9636 3/16	36	96	3/16

### TK8



Item	Dimension (Inch)		
	W	H	D
TK 8 3/16	96	4 3/8	3/16
TK8	96	4 3/8	3/4



DWR

If you need something that is not listed in this catalog, please contact your sales representative for more information.



*Northville*  
CABINETRY

📍 9815 North Fwy, Houston, TX, 77037      ☎ 2814479997  
Copyrights 2024 Northville Cabinetry. All Rights Reserved.